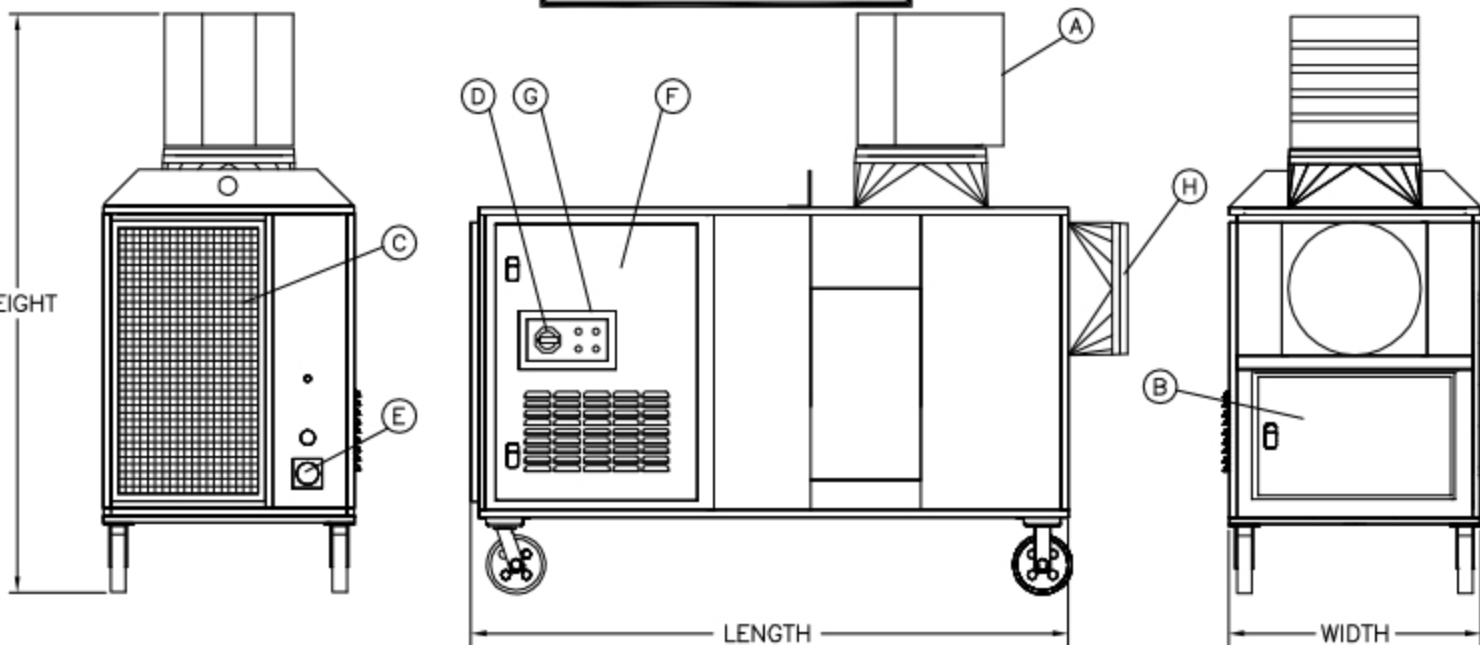


TWIN PORTS AERIAL



DULUTH, MN • (218) 728-4184

THP-1000



UNIT SPECIFICATIONS:

POWER SUPPLY: 230V/1PH/60HZ/25A
230V/3PH/60HZ/15A
460V/3PH/60HZ/7A

AIR DELIVERY: 6,000 CFM

BTU INPUT: 48,600 - 1,000,000

FUEL SUPPLY:

PROPANE: 10 PSI

NATURAL GAS: 1/2 - 4 PSI

CONNECTION: 1" NPT

DIMENSIONS:

LENGTH: 81"

WIDTH: 35"

HEIGHT: 79"

WEIGHT: 939 lb

- (A) DISCHARGE HOOD
- (B) SERVICE ACCESS BLOWER MOTOR
- (C) INTAKE SCREEN
- (D) SAFETY DISCONNECT
- (E) GAS INLET
- (F) SERVICE ACCESS MANIFOLD/ELECTRICAL
- (G) CONTROL PANEL
- (H) OPTIONAL 18" AIR DISCHARGE

NOTE:

CONTACT TEMP-AIR FOR OTHER GAS PRESSURES.

DRAWN: JH	UPDATED: JH
DATE: 05/21/12	DATE: 09/19/16