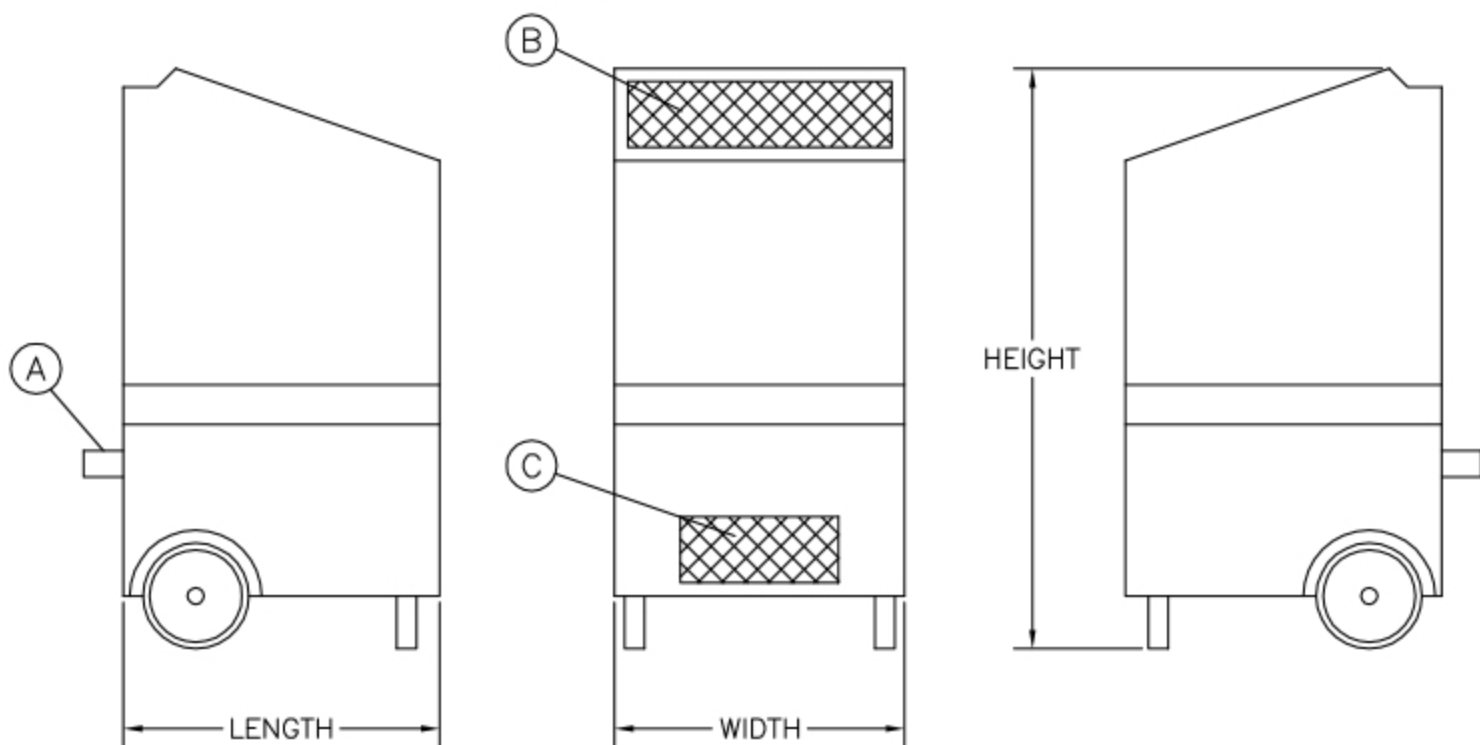


# TWIN PORTS AERIAL



DULUTH, MN • (218) 728-4184

## TD-200



### UNIT SPECIFICATIONS:

POWER SUPPLY: 115V/1PH/60HZ/15A  
AIR DELIVERY: 538 CFM  
CONDENSATE CONNECTION: 3/8" x 25' HOSE  
CAPACITY CONDENSATE TANK: 28+ GALLON/DAY @ 80° F/60% R.H.

- Ⓐ CONDENSATE DRAIN CONNECTION
- Ⓑ WET AIR INTAKE
- Ⓒ DRY AIR DISCHARGE

### DIMENSIONS:

LENGTH: 24"  
WIDTH: 22"  
HEIGHT: 44"  
WEIGHT: 162 LB

DRAWN: ACJ	UPDATED: JH
DATE: 08/26/02	DATE: 02/23/17