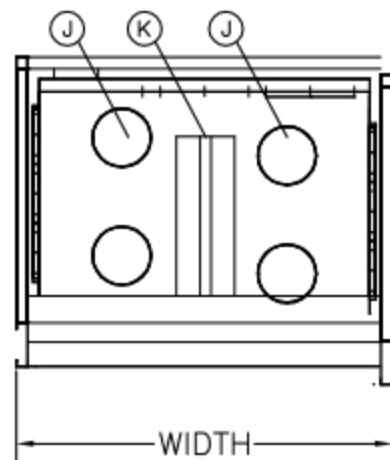
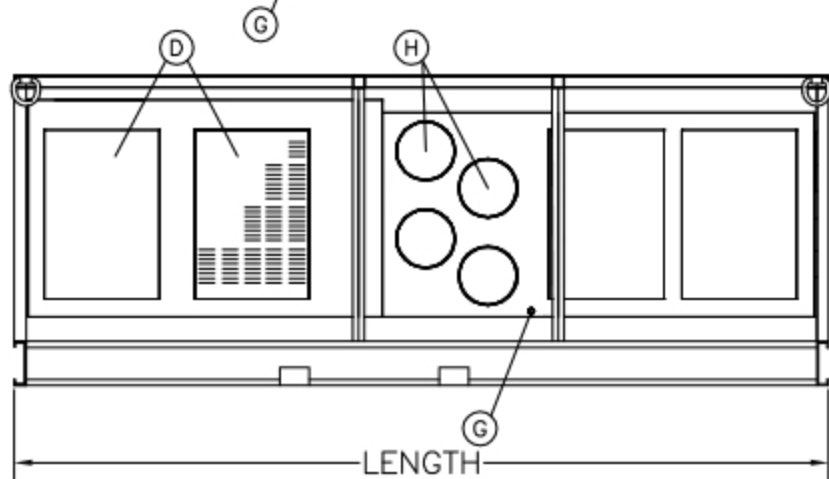
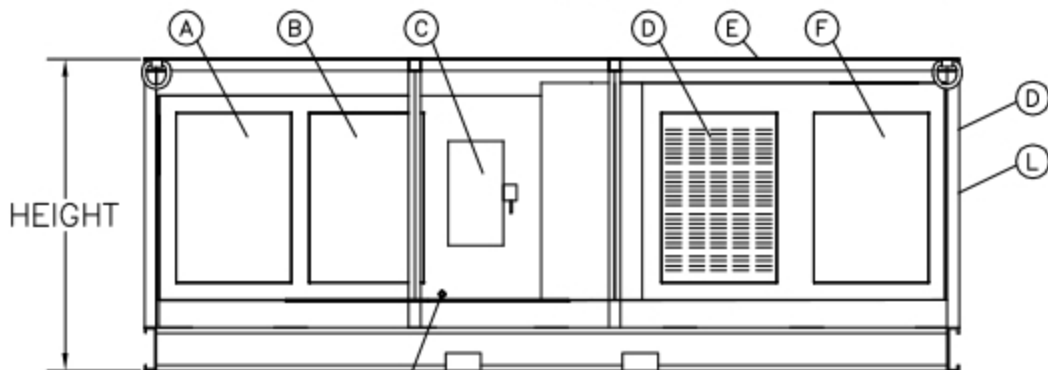


TWIN PORTS AERIAL



DULUTH, MN • (218) 728-4184

PAC-75T4



UNIT SPECIFICATIONS:

POWER SUPPLY: 460V/3PH/60HZ
 AIR DELIVERY: 14000 - 26000 CFM
 DRAIN CONNECTION: 1" NPT (2)

MODE:

COOL ONLY: 185 MCA

DIMNESIONS:

LENGTH: 276"
 WIDTH: 126"
 HEIGHT: 100"
 WEIGHT: 13,800 lb

- (A) SERVICE ACCESS, FILTER
- (B) SERVICE ACCESS, BLOWER
- (C) SAFETY DISCONNECT
- (D) CONDENSER INLET
- (E) CONDENSER EXHAUST
- (F) SERVICE ACCESS, ELECTRICAL
- (G) CONDENSATE DRAIN CONNECTION
- (H) SUPPLY AIR 20" dia
- (J) RETURN AIR 20" dia
- (K) FRESH AIR
- (L) SERVICE ACCESS, COMPRESSOR

DRAWN: ACJ	UPDATED: JH
DATE: 02/05/02	DATE: 02/20/17