

PAC-5B23

UNIT SPECIFICATIONS:

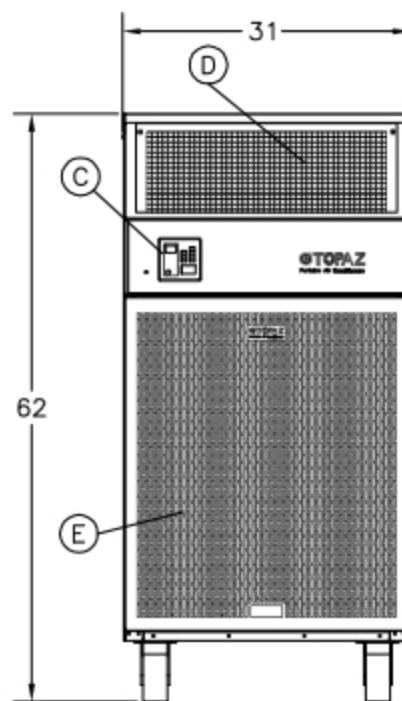
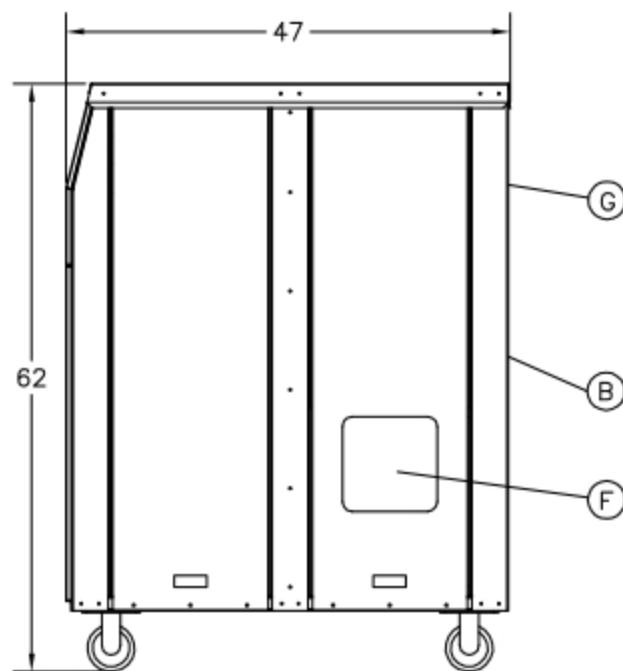
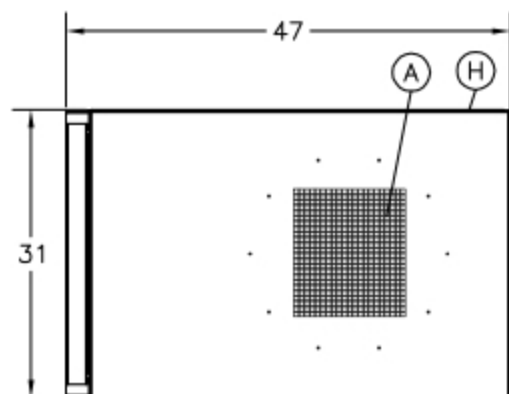
POWER SUPPLY: 208-230V/3PH/60Hz/40MCA
 AIR DELIVERY: 2,300 CFM
 COOLING CAPACITY 77,500 BTU

DIMENSIONS:

LENGTH (IN): 47
 WIDTH (IN): 31
 HEIGHT (IN): 62
 WEIGHT (LBS): 740

UNIT COMPONENTS:

- (A) CONDENSER EXHAUST
- (B) CONDENSER INLET
- (C) THERMOSTAT
- (D) SUPPLY AIR
- (E) RETURN AIR
- (F) CONDENSATE HOSE STORAGE
- (G) ELECTRICAL PANEL ACCESS
- (H) POWER SUPPLY



TWIN PORTS AERIAL






DULUTH, MN • (218) 728-4184

DRAWN: MACK	APPROVED: CC	LAST UPDATE: MACK	DRAWING NUMBER:
DATE: 01/20/12	DATE: 11/14/12	DATE: 11/14/12	PAC-5B23