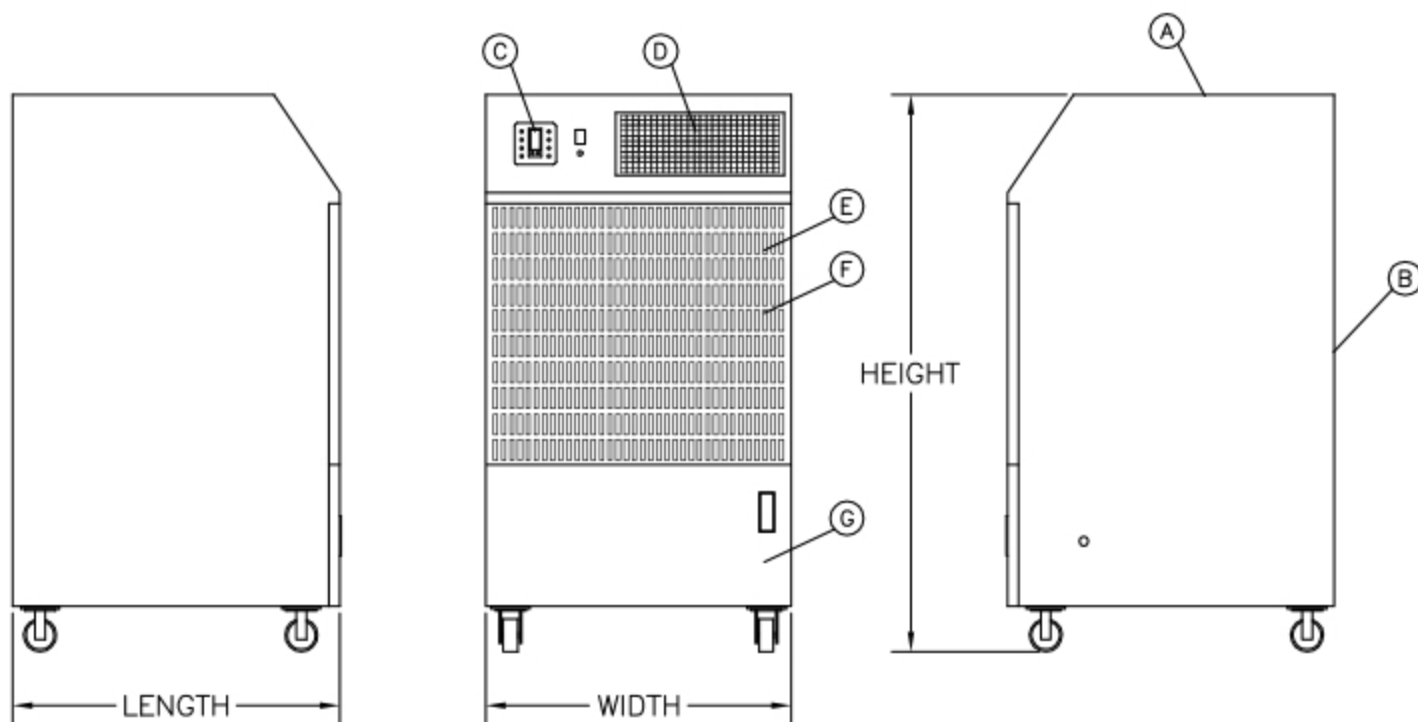


# TWIN PORTS AERIAL



DULUTH, MN • (218) 728-4184

## PAC-3



### UNIT SPECIFICATIONS:

POWER SUPPLY: 208-230V/1PH/60HZ/30A  
AIR DELIVERY: 1,200 CFM  
CONDENSATE TANK: 5 GALLON

- Ⓐ CONDENSER EXHAUST
- Ⓑ CONDENSER INLET
- Ⓒ THERMOSTAT
- Ⓓ SUPPLY AIR
- Ⓔ RETURN AIR
- Ⓕ SERVICE ACCESS, FILTER
- Ⓖ SERVICE ACCESS, CONDENSATE TANK

### DIMENSIONS:

LENGTH: 30"  
WIDTH: 28"  
HEIGHT: 51"  
WEIGHT: 395 lb

DRAWN: ACJ	UPDATED: JH
DATE: 02/06/02	DATE: 02/16/17