

PAC-25T4HA

UNIT SPECIFICATIONS:

POWER SUPPLY: 460V/3PH/60Hz

MODE MCA

COOL ONLY 60

HEAT OR COOL 125

AIR DELIVERY: 10,000 CFM

HEATER ELEMENT: 72Kw

DRAIN CONNECTION: 1" NPT

DIMENSIONS:

LENGTH (IN): 140

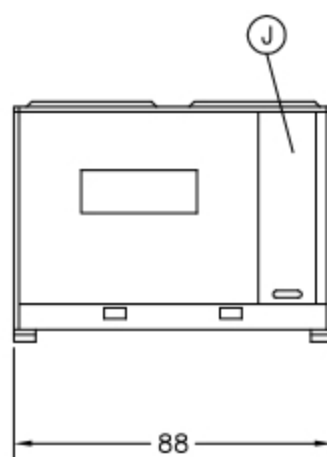
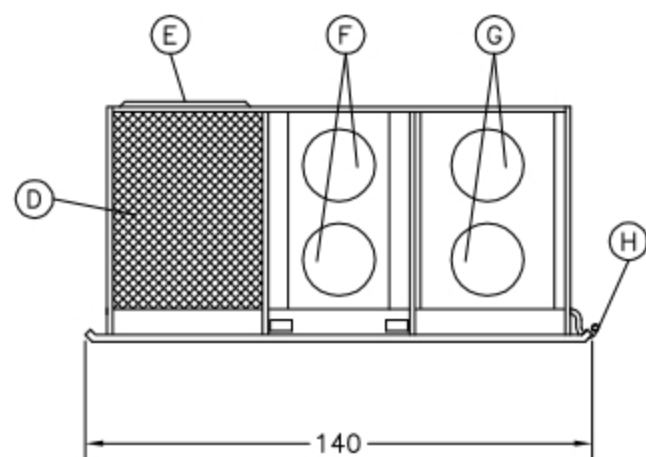
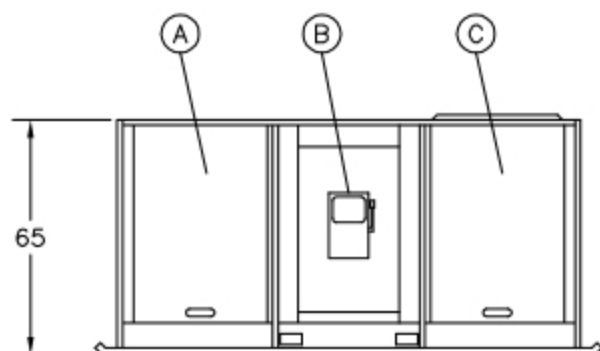
WIDTH (IN): 88

HEIGHT (IN): 65

WEIGHT (LBS): 3108

UNIT COMPONENTS:

- (A) SERVICE ACCESS BLOWER
- (B) SAFETY DISCONNECT
- (C) SERVICE ACCESS ELECTRICAL
- (D) CONDENSER INLET
- (E) CONDENSER EXHAUST
- (F) SUPPLY AIR $\phi 20$
- (G) RETURN AIR $\phi 20$
- (H) CONDENSATE DRAIN CONNECTION
- (J) SERVICE ACCESS FILTER



TWIN PORTS AERIAL



DULUTH, MN • (218) 728-4184

DRAWN: ACJ	APPROVED: DLG	LAST UPDATE: NJT	DRAWING NUMBER:
DATE: 02.04.02	DATE: 04.21.05	DATE: 02.28.13	PAC-25T4HA