

PAC-25T4B

UNIT SPECIFICATIONS:

POWER SUPPLY: 460V/3PH/60Hz

MODE	MCA
COOL ONLY	60

AIR DELIVERY: 10,000 CFM

DRAIN CONNECTION: 1" NPT

DIMENSIONS:

LENGTH (IN): 140

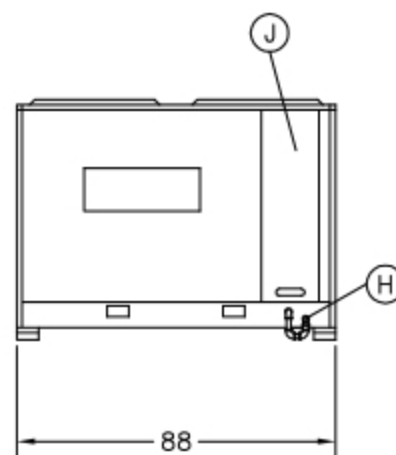
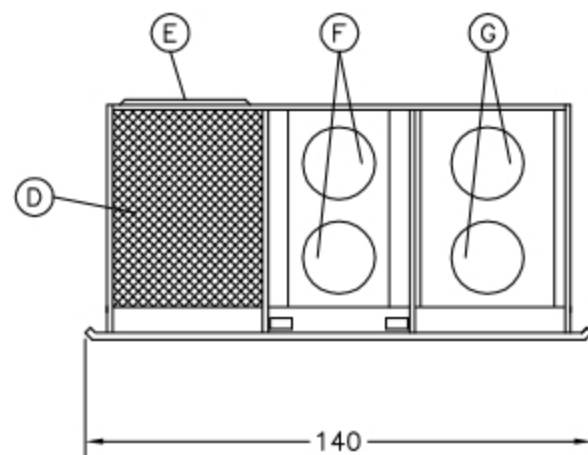
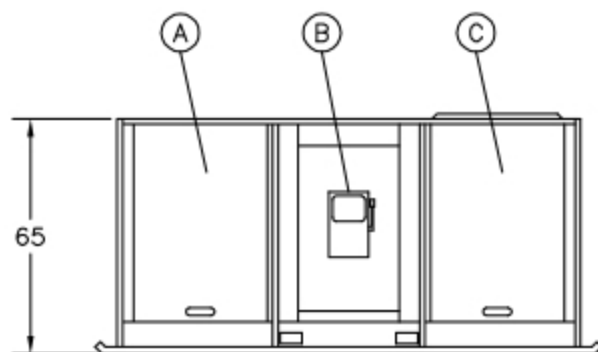
WIDTH (IN): 88

HEIGHT (IN): 65

WEIGHT (LBS): 3393

UNIT COMPONENTS:

- (A) SERVICE ACCESS BLOWER
- (B) SAFETY DISCONNECT
- (C) SERVICE ACCESS ELECTRICAL
- (D) CONDENSER INLET
- (E) CONDENSER EXHAUST
- (F) SUPPLY AIR \varnothing 20
- (G) RETURN AIR \varnothing 20
- (H) CONDENSATE DRAIN CONNECTION
- (J) SERVICE ACCESS FILTER



TWIN PORTS AERIAL



DULUTH, MN • (218) 728-4184

DRAWN: ACJ	APPROVED: DLG	LAST UPDATE: NJT	DRAWING NUMBER:
DATE: 02.04.02	DATE: 04.21.05	DATE: 02.28.13	PAC-25T4B