

PAC-25T2HA

UNIT SPECIFICATIONS:

POWER SUPPLY: 208-230V/3PH/60Hz

MODE	MCA
COOL ONLY	135
HEAT OR COOL	200

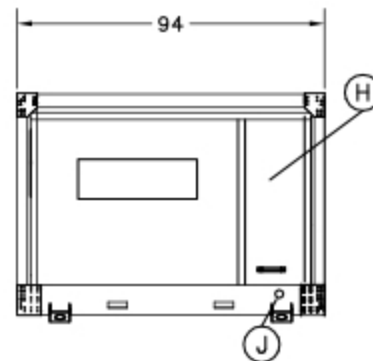
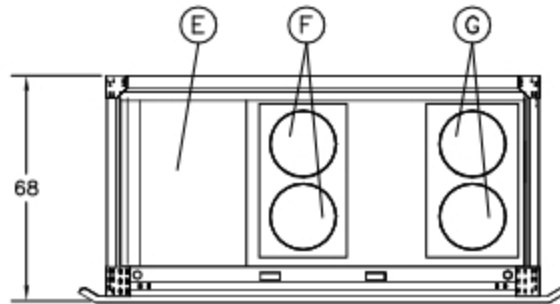
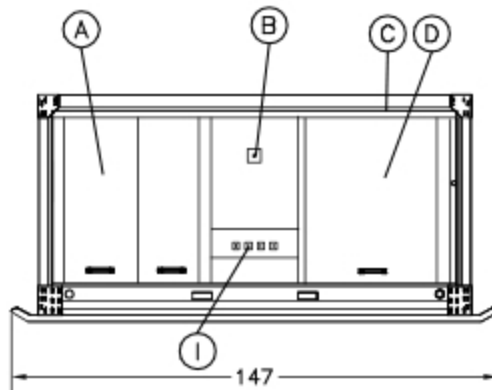
AIR DELIVERY: 10,000 CFM
HEATER ELEMENT: 54 kW
DRAIN CONNECTION: 1" NPT

DIMENSIONS:

LENGTH (IN): 147
WIDTH (IN): 94
HEIGHT (IN): 68
WEIGHT (LBS): 3300

UNIT COMPONENTS:

- (A) SERVICE ACCESS BLOWER
- (B) SAFETY DISCONNECT
- (C) CONDENSER EXHAUST
- (D) SERVICE ACCESS ELECTRICAL
- (E) CONDENSER INLET
- (F) SUPPLY AIR $\varnothing 20$
- (G) RETURN AIR $\varnothing 20$
- (H) SERVICE ACCESS FILTER
- (I) CAM LOCKS
- (J) CONDENSATE DRAIN CONNECTION



TWIN PORTS AERIAL



DRAWN: ACJ	APPROVED: CC	LAST UPDATE: MACK	DRAWING NUMBER:
DATE: 02.04.02	DATE: 04/16/14	DATE: 04/16/14	PAC-25T2HA