

# PAC-20T4HB

## UNIT SPECIFICATIONS:

POWER SUPPLY: 460V/3PH/60Hz

MODE	MCA
COOL ONLY	55
HEAT OR COOL	120

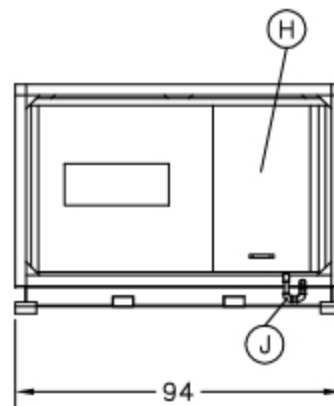
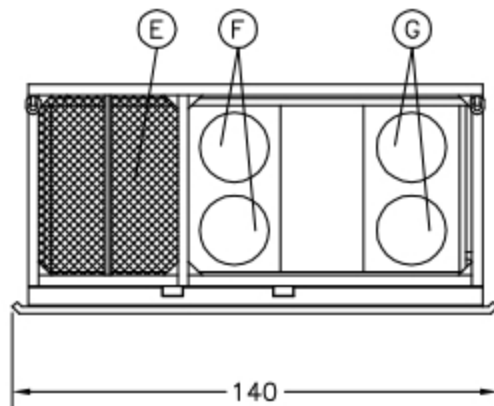
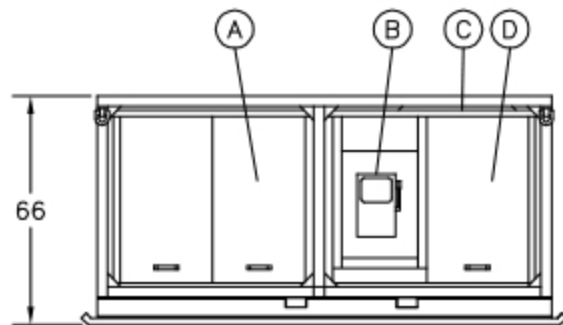
AIR DELIVERY: 8,000 CFM  
 HEATER ELEMENT: 72 kW  
 DRAIN CONNECTION: 1" NPT

## DIMENSIONS:

LENGTH (IN): 140  
 WIDTH (IN): 94  
 HEIGHT (IN): 66  
 WEIGHT (LBS): 2,950

## UNIT COMPONENTS:

- (A) SERVICE ACCESS BLOWER
- (B) SAFETY DISCONNECT
- (C) CONDENSER EXHAUST
- (D) SERVICE ACCESS ELECTRICAL
- (E) CONDENSER INLET
- (F) SUPPLY AIR  $\phi 20$
- (G) RETURN AIR  $\phi 20$
- (H) SERVICE ACCESS FILTER
- (J) CONDENSATE DRAIN CONNECTION



## TWIN PORTS AERIAL






DULUTH, MN • (218) 728-4184

DRAWN: ACJ	APPROVED: DLG	LAST UPDATE: NJT	DRAWING NUMBER:
DATE: 02.04.02	DATE: 02.04.02	DATE: 02.28.13	PAC-20T4HB