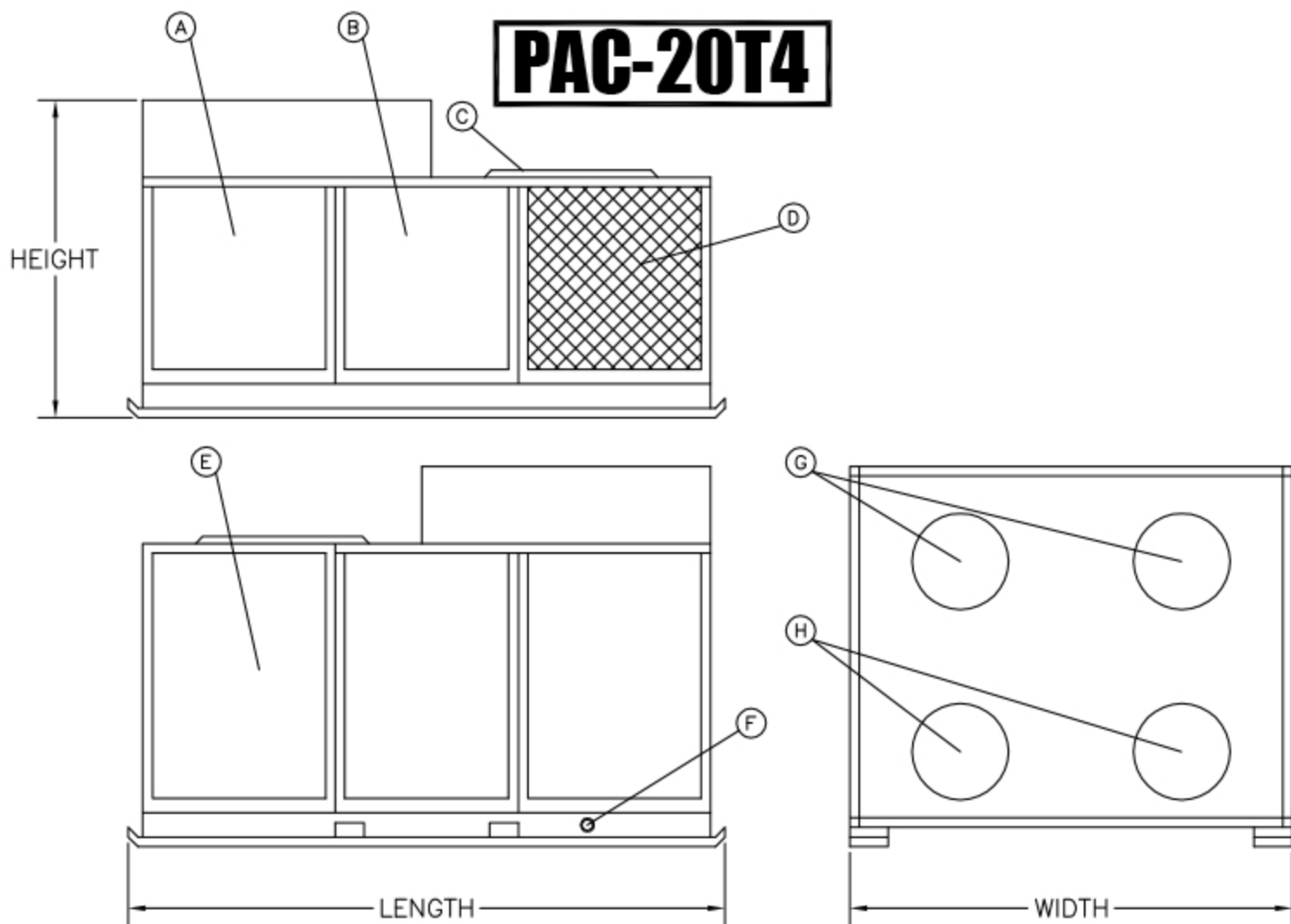


TWIN PORTS AERIAL



DULUTH, MN • (218) 728-4184

PAC-20T4



UNIT SPECIFICATIONS:

POWER SUPPLY: 460V/3PH/60HZ/70A
AIR DELIVERY: 8,000 CFM
DRAIN CONNECTION: 1" NPT
SOUND POWER LEVEL: 90dba

DIMENSIONS:

LENGTH: 124"
WIDTH: 92"
HEIGHT: 66"
WEIGHT: 2987 lb

- (A) SERVICE ACCESS, FILTER
- (B) SERVICE ACCESS, BLOWER
- (C) CONDENSER EXHAUST
- (D) CONDENSER INLET
- (E) SERVICE ACCESS, ELECTRICAL
- (F) CONDENSATE DRAIN CONNECTION
- (G) SUPPLY AIR 20" dia
- (H) RETURN AIR 20" dia

DRAWN: ACJ	UPDATED: JH
DATE: 02/04/02	DATE: 02/16/17