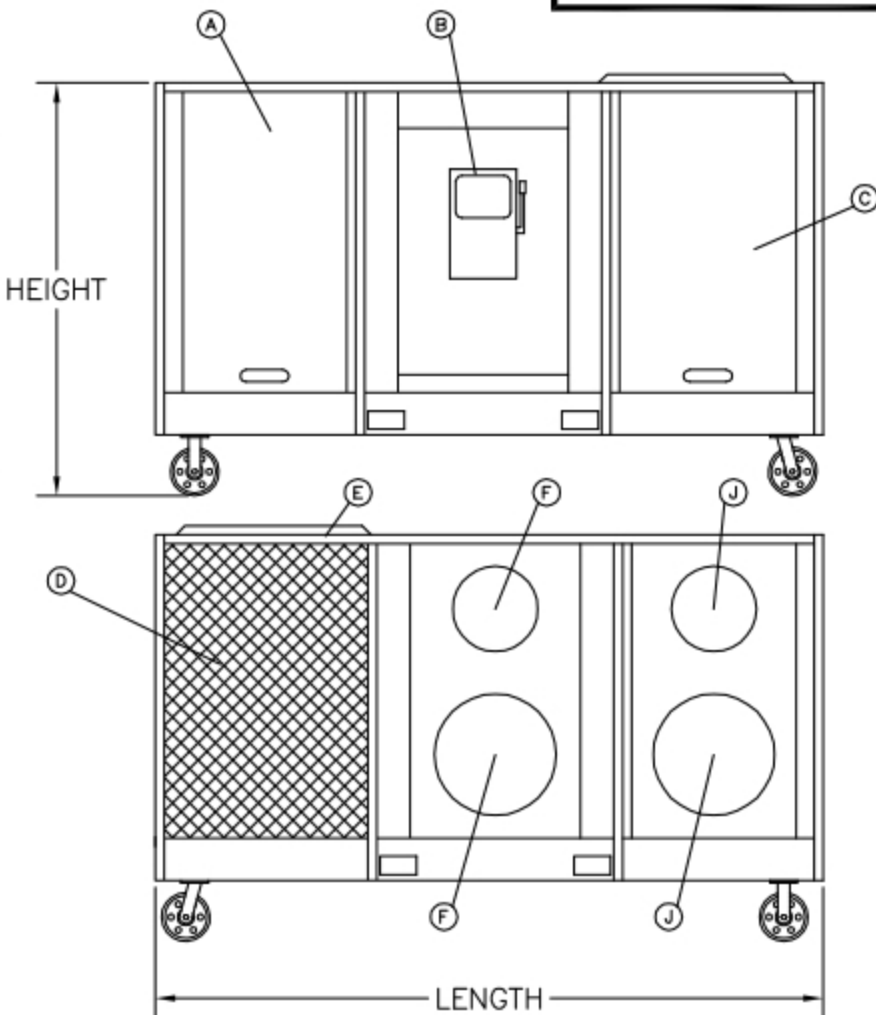


TWIN PORTS AERIAL

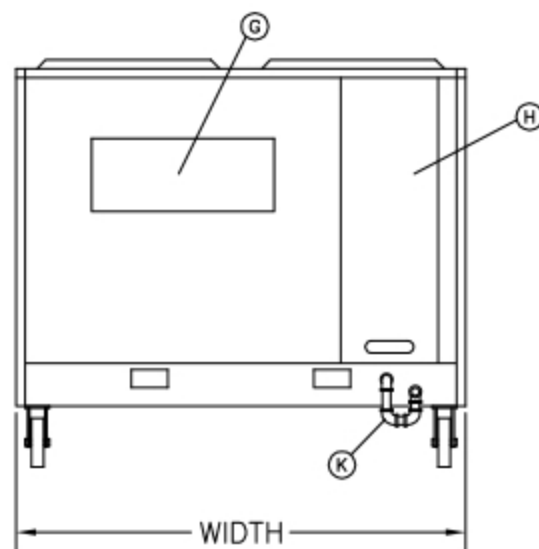


DULUTH, MN • (218) 728-4184

PAC-15T4H



- (A) SERVICE ACCESS, BLOWER
- (B) SAFETY DISCONNECT
- (C) SERVICE ACCESS, ELECTRICAL
- (D) CONDENSER INLET
- (E) CONDENSER EXHAUST
- (F) SUPPLY AIR 14"dia & 20"dia
- (G) MAKE-UP AIR PANEL
- (H) SERVICE ACCESS, FILTER
- (J) RETURN AIR 14"dia & 20"dia
- (K) CONDENSATE DRAIN CONNECTION



UNIT SPECIFICATIONS:

POWER SUPPLY: 460V/3PH/60HZ
AIR DELIVERY: 6000 CFM
HEATER ELEMENT: 54 KW
DRAIN CONNECTION: 1" NPT
SOUND POWER LEVEL: 90dba

MODE:

COOL ONLY: 40 MCA
HEAT OR COOL: 100 MCA

DIMENSIONS:

LENGTH: 110"
WIDTH: 74"
HEIGHT: 68"
WEIGHT: 2193 lb

DRAWN: ACJ	UPDATED: JH
DATE: 01/31/02	DATE: 02/15/17