

PAC-15T2HC

UNIT SPECIFICATIONS:

POWER SUPPLY: 230V/3PH/60Hz

MODE MCA

COOL ONLY 90

HEAT OR COOL 130

AIR DELIVERY: 6,000 CFM

HEATER ELEMENT: 36Kw

DRAIN CONNECTION: 1" NPT

DIMENSIONS:

LENGTH (IN): 110

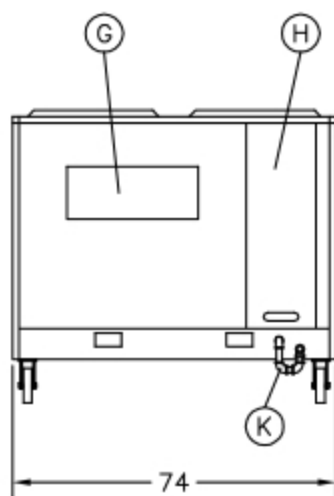
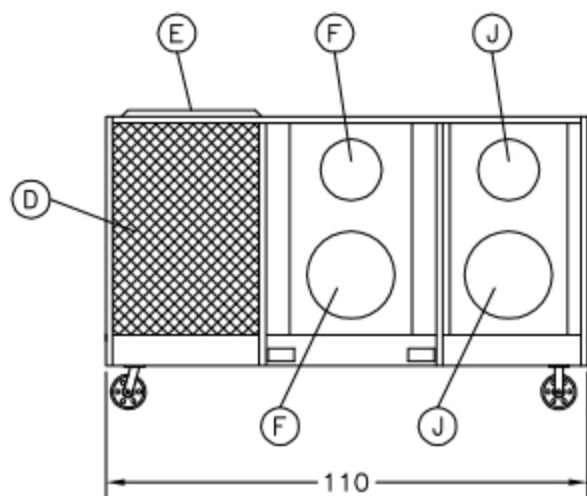
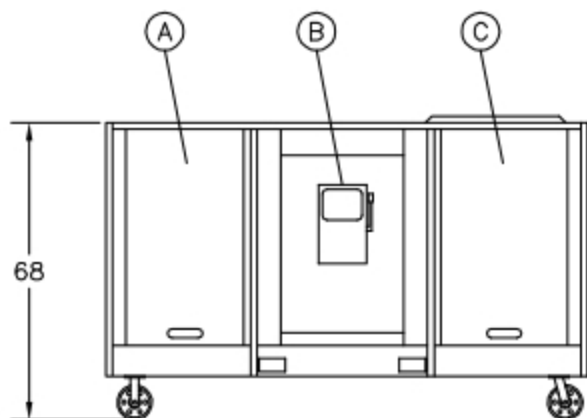
WIDTH (IN): 74

HEIGHT (IN): 68

WEIGHT (LBS): 2300

UNIT COMPONENTS:

- (A) SERVICE ACCESS BLOWER
- (B) SAFETY DISCONNECT
- (C) SERVICE ACCESS ELECTRICAL
- (D) CONDENSER INLET
- (E) CONDENSER EXHAUST
- (F) SUPPLY AIR $\phi 14$ & $\phi 20$
- (G) MAKE UP AIR PANEL
- (H) SERVICE ACCESS FILTER
- (J) RETURN AIR $\phi 14$ & $\phi 20$
- (K) CONDENSATE DRAIN CONNECTION



TWIN PORTS AERIAL



DULUTH, MN • (218) 728-4184

DRAWN: ACJ	APPROVED: DLG	LAST UPDATE: NJT	DRAWING NUMBER:
DATE: 01.31.02	DATE: 04.22.02	DATE: 02.28.13	PAC-15T2HC