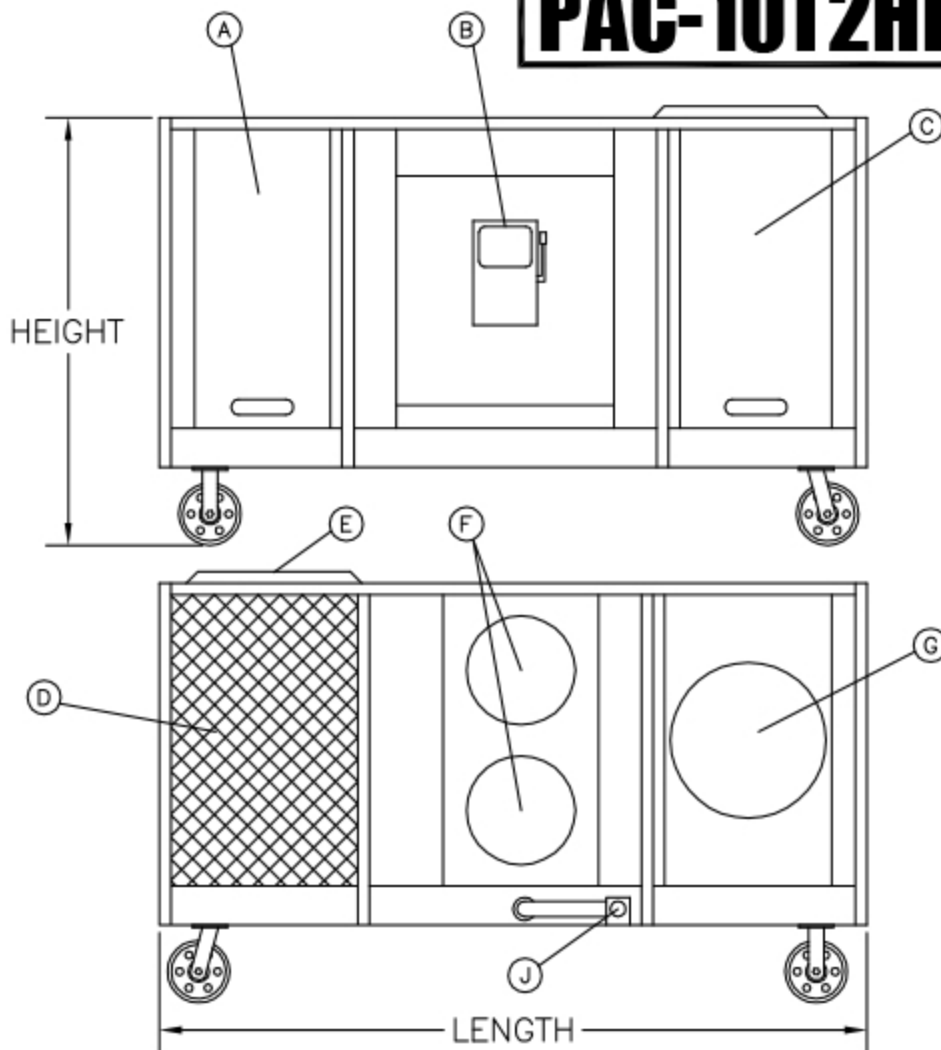


# TWIN PORTS AERIAL



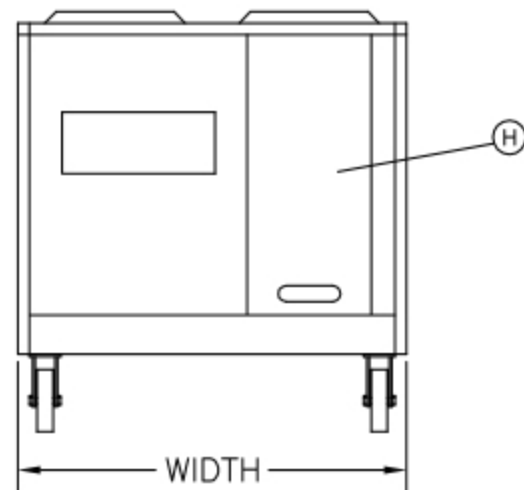
DULUTH, MN • (218) 728-4184

## PAC-10T2HD



### DIMENSIONS:

- (A) SERVICE ACCESS BLOWER
- (B) SAFETY DISCONNECT
- (C) SERVICE ACCESS ELECTRICAL
- (D) CONDENSER INLET
- (E) CONDENSER EXHAUST
- (F) SUPPLY AIR  $\phi 14"$
- (G) RETURN AIR  $\phi 20"$
- (H) SERVICE ACCESS FILTER
- (J) CONDENSATE DRAIN CONNECTION



### UNIT SPECIFICATIONS:

POWER SUPPLY: 230V/3PH/60HZ

### MODE:

COOL ONLY: 60 MCA  
HEAT OR COOL: 70 MCA  
DEHUMIDIFY: 100 MCA  
AIR DELIVERY: 4000 CFM  
HEATER ELEMENT: 18 KW  
DRAIN CONNECTION: 3/4" NPT

### DIMENSIONS:

LENGTH: 91"  
WIDTH: 50"  
HEIGHT: 55"  
WEIGHT: 1200 lb

DRAWN: ACJ	UPDATED: JH
DATE: 03/11/03	DATE: 02/14/17